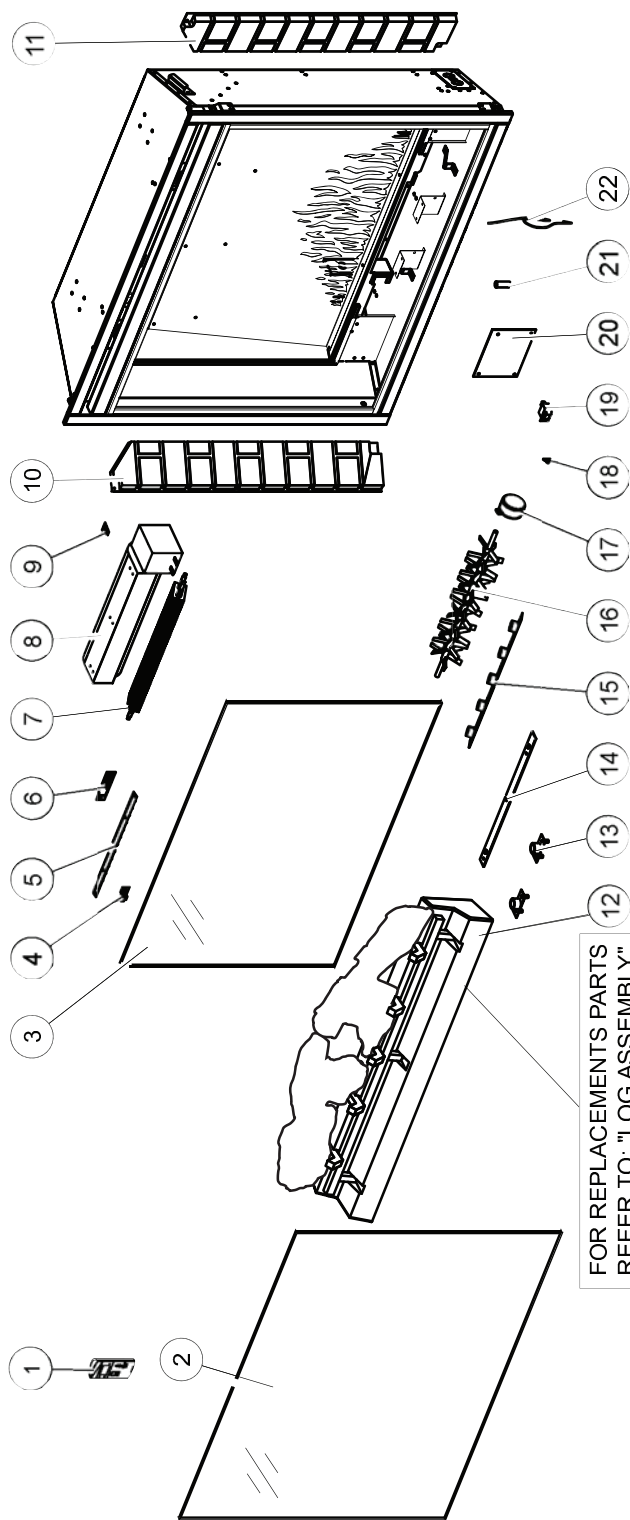


8.1 BEF33H OVERVIEW

NOTE: Care must be taken when removing and disposing of any broken glass or damaged components. Be sure to vacuum up any broken glass from inside the appliance before operation.



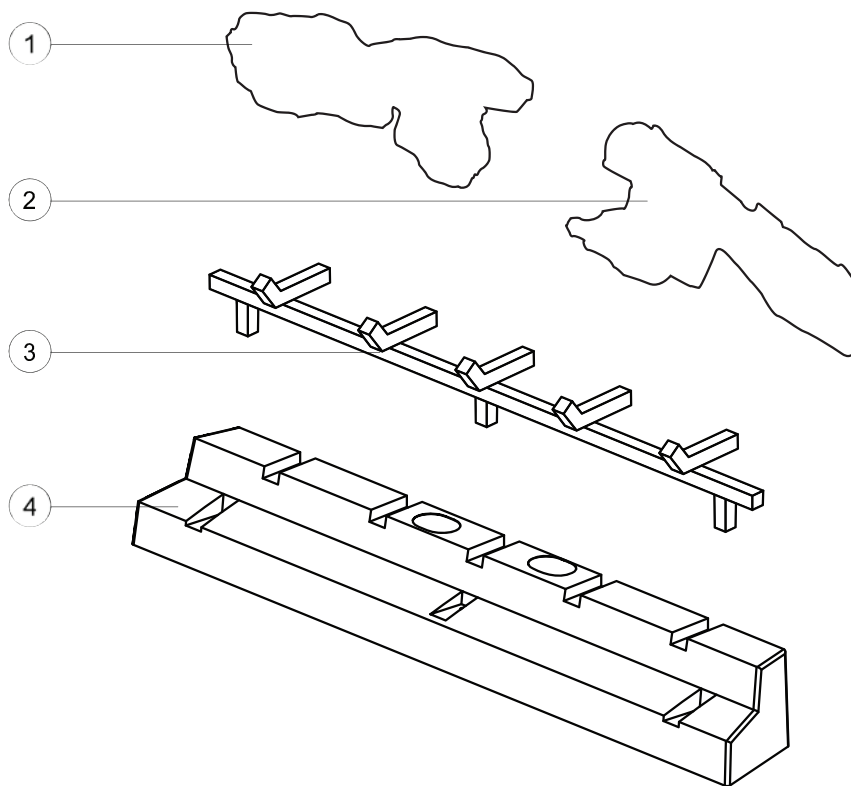
FOR REPLACEMENTS PARTS REFER TO: "LOG ASSEMBLY"

ITEMS MAY NOT APPEAR EXACTLY AS ILLUSTRATED

REF. #	PART NO.	DESCRIPTION	REF. #	PART NO.	DESCRIPTION
1	G660-0003-SER	REMOTE CONTROL TRANSMITTER	12	W010-3317-SER	LOG ASSEMBLY
2	W300-0180-SER	DOOR GLASS FRAME ASSEMBLY	13	W405-0015-SER	LOG LED LIGHT (X2)
3	W300-0181-SER	FLAME GLASS	14	W405-0014-SER	EMBER LED LIGHT WITH SPACER
4	G190-0002-SER	REMOTE CONTROL RECEIVER BOARD	15	W405-0013-SER	FLAME LED LIGHT
5	G405-0007-SER	DECORATIVE LED LIGHT WITH SPACER	16	W010-3145-SER	REFLECTOR WITH BUSHING & ADAPTOR
6	W190-0068-SER	CONTROL PANEL	17	W435-0059-SER	SYNCHRONOUS MOTOR
7	W245-0041-SER	HEATING ELEMENTS	18	G190-0001-SER	TEMPERATURE SENSOR
8	W062-0052-SER	BLOWER	19	W660-0009-SER	SWITCH ON/OFF
9	W660-0157-SER	HIGH LIMIT SWITCH	20	W190-0065-SER	MAIN PCB BOARD WITH SPACER
10	W475-0952-SER	LEFT SIDE BRICK PANEL	21	W285-0002-SER	FUSE 2A/250V (Ø5X20mm)
11	W475-0953-SER	RIGHT SIDE BRICK PANEL	22	W750-0310-SER	WIRE ASSEMBLY

EN

8.2 BEF33H LOG ASSEMBLY

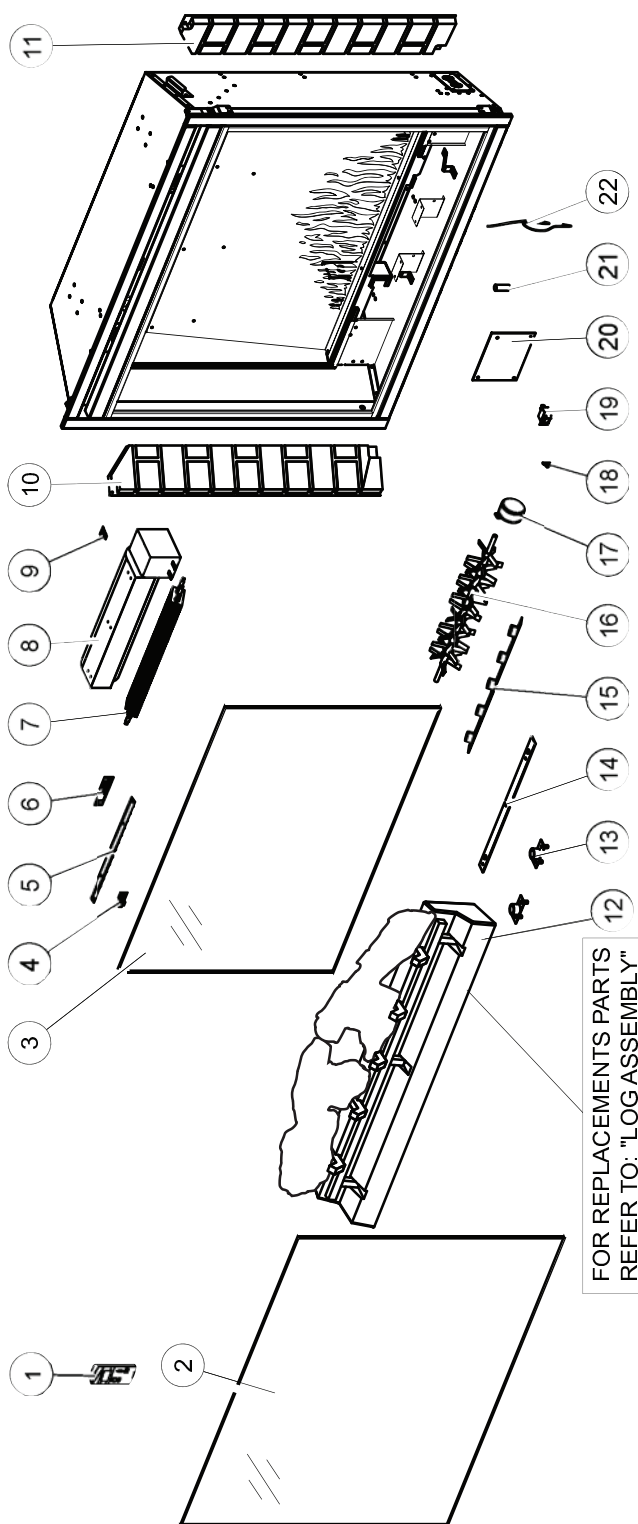


ITEMS MAY NOT APPEAR EXACTLY AS ILLUSTRATED

REF. #	PART NO.	DESCRIPTION	REF. #	PART NO.	DESCRIPTION
23	G135-0006-SER	LEFT SIDE LOG	25	W185-0032-SER	GRATE ASSEMBLY
24	G135-0007-SER	RIGHT SIDE LOG	26	G135-0005-SER	EMBER BED

8.3 BEF40H OVERVIEW

NOTE: Care must be taken when removing and disposing of any broken glass or damaged components. Be sure to vacuum up any broken glass from inside the appliance before operation.

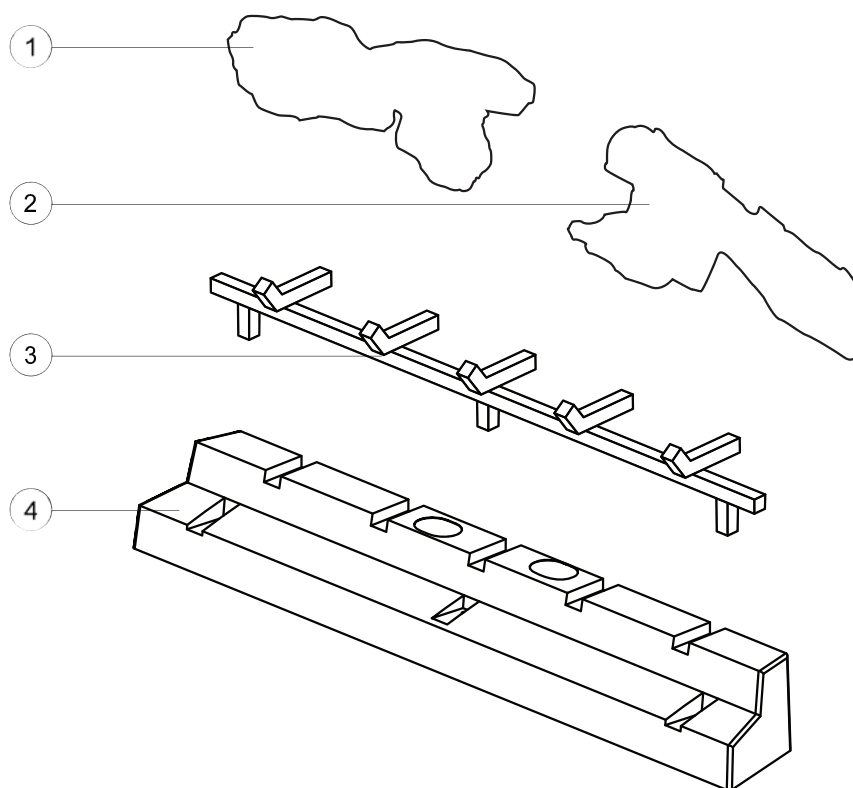


FOR REPLACEMENTS PARTS REFER TO: "LOG ASSEMBLY"

ITEMS MAY NOT APPEAR EXACTLY AS ILLUSTRATED

REF.	PART NO.	DESCRIPTION	REF.	PART NO.	DESCRIPTION
1	G660-0003-SER	REMOTE CONTROL	12	W010-3318-SER	LOG ASSEMBLY
2	G300-0007-SER	DOOR GLASS FRAME ASSEMBLY	13	W405-0015-SER	LOG LED LIGHT (X2)
3	G300-0006-SER	FLAME GLASS	14	W405-0014-SER	EMBER LED LIGHT WITH SPACER
4	G190-0002-SER	REMOTE CONTROL RECEIVER BOARD	15	W405-0013-SER	FLAME LED LIGHT
5	G405-0009-SER	DECORATIVE LED LIGHT WITH SPACER	16	W010-0058-SER	REFLECTOR WITH BUSHING & ADAPTOR
6	W190-0068-SER	CONTROL PANEL	17	W435-0059-SER	SYNCHRONOUS MOTOR
7	W245-0041-SER	HEATING ELEMENTS	18	G190-0001-SER	TEMPERATURE SENSOR
8	W062-0052-SER	BLOWER	19	W660-0009-SER	SWITCH ON/OFF
9	W660-0157-SER	HIGH LIMIT SWITCH	20	W190-0065-SER	MAIN PCB BOARD WITH SPACER
10	G475-0008-SER	LEFT SIDE BRICK PANEL	21	W285-0002-SER	FUSE 2 Amp (Ø5X20mm)
11	G475-0009-SER	RIGHT SIDE BRICK PANEL	22	W750-0029-SER	WIRE ASSEMBLY

8.4 BEF40H LOG ASSEMBLY



ITEMS MAY NOT APPEAR EXACTLY AS ILLUSTRATED

REF. #	PART NO.	DESCRIPTION	REF. #	PART NO.	DESCRIPTION
23	G135-0008-SER	LEFT SIDE LOG	25	W185-0001-SER	GRATE ASSEMBLY
24	G135-0009-SER	RIGHT SIDE LOG	26	G135-0010-SER	EMBER BED